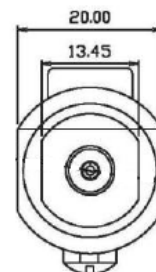
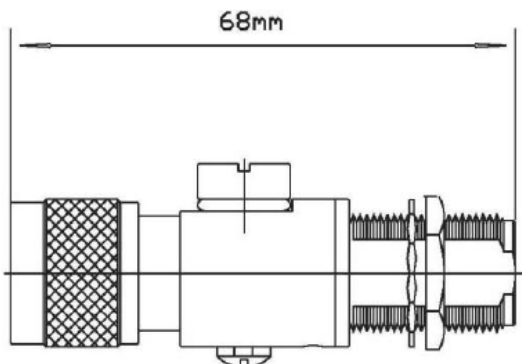




HS-60A

Lightning Surge Protector



Key Features

- 0~6.0GHz operating frequency
- N female to N male connectors
- Max. 10KA withstanding current

Specifications

Radio	
Frequency range	0~6GHz
V.S.W.R.	< 1.5
Insertion loss	0.2dBi
Impedance	50 Ohm
DC Breakdown Voltage	90V DC @ 100V/S
Max. withstanding current	10KA
Interfaces	
Connectors	N female to N male
Environment	
Dimension	68*32*20mm
Weight	130g

Provided by Hot Stuff Intl. Co., Ltd.

For more information, contact: service@hotstuff.com.tw